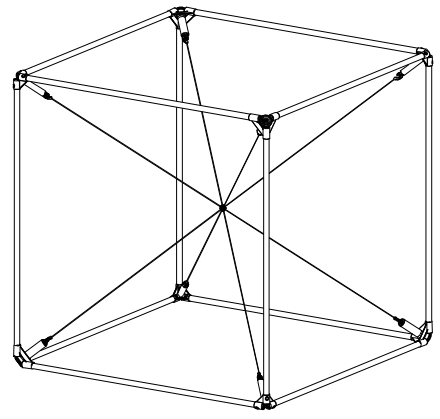
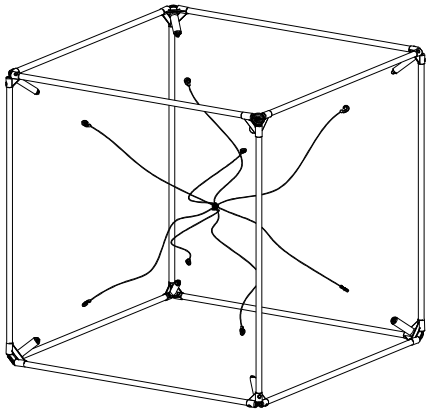
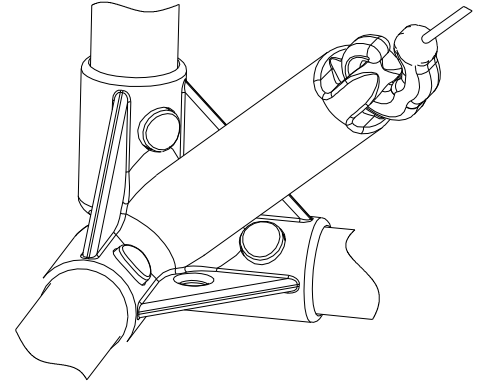
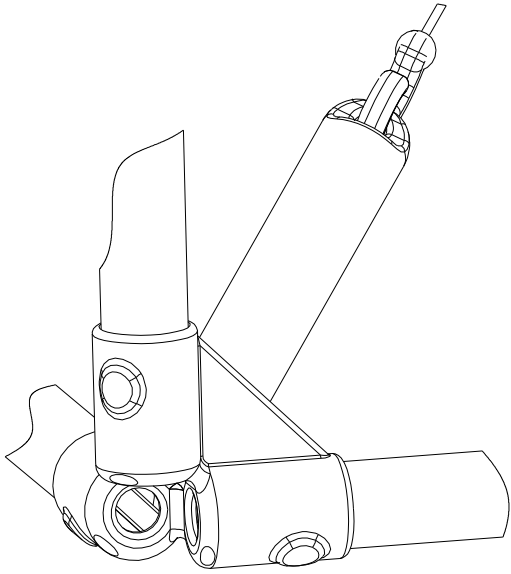


To assemble the cube, use connectors to connect four modules that include three edges of the cube.

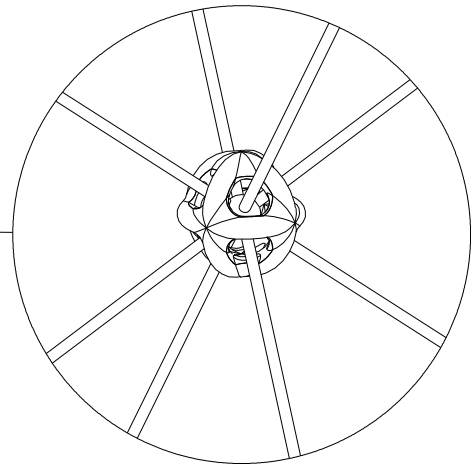
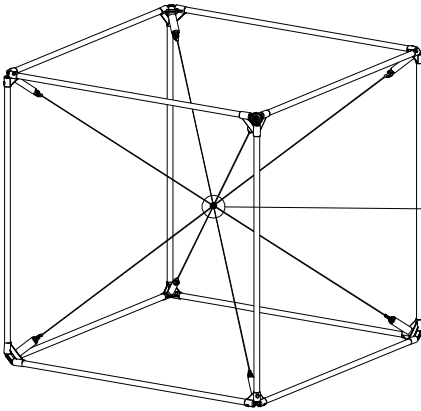
Note! Each edge of the cube must be inserted all the way into connector (see fig. 6), otherwise, after installation stabilizer cords, the edges of the cube will not be perpendicular to each other.



5



6



7

To fix the edges of the cube, install stabilizing ropes with hooks.

Note! Ropes should not be intertwined in the central part (see fig. 7)